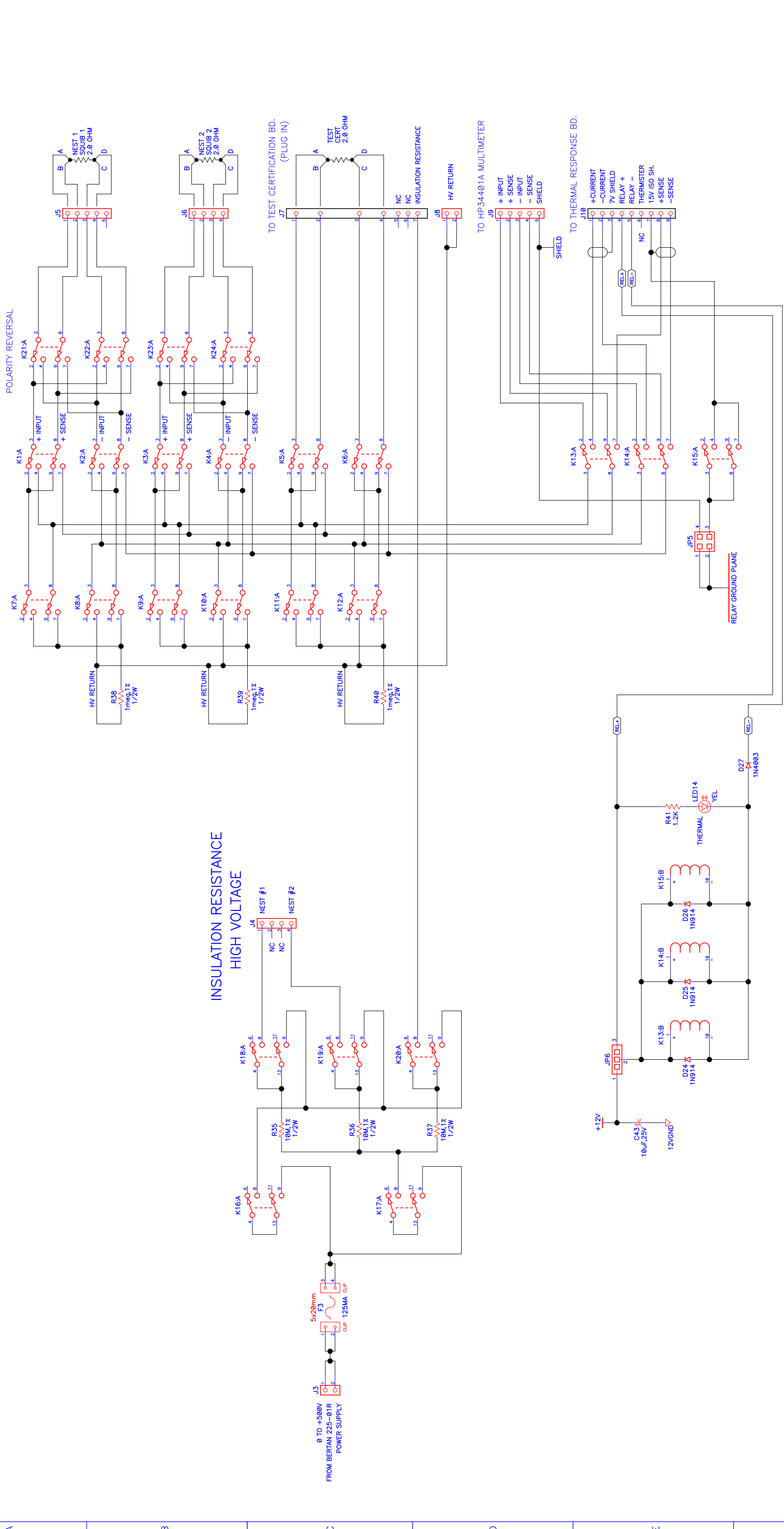


REV	DESCRIPTION	DATE	APPROVAL

1	2	3	4	5	6	7	8
---	---	---	---	---	---	---	---



CONTRACT NO.	DESIGN CONSULTANTS
DATE	Santa Barbara, Calif.
DRAWN: VALDINA ENGINEERING	SCHEMATIC - MULTIPLEXER BD.
CHECKED:	POLARITY TEST OPTION
APPROVED:	SIZE: D
	FS24 NO. 22887
	REV: A
	SCALE: DO NOT SCALE DRAWING
	PART NO.:
	SHEET 4 OF 4

A	B	C	D	E	F
---	---	---	---	---	---